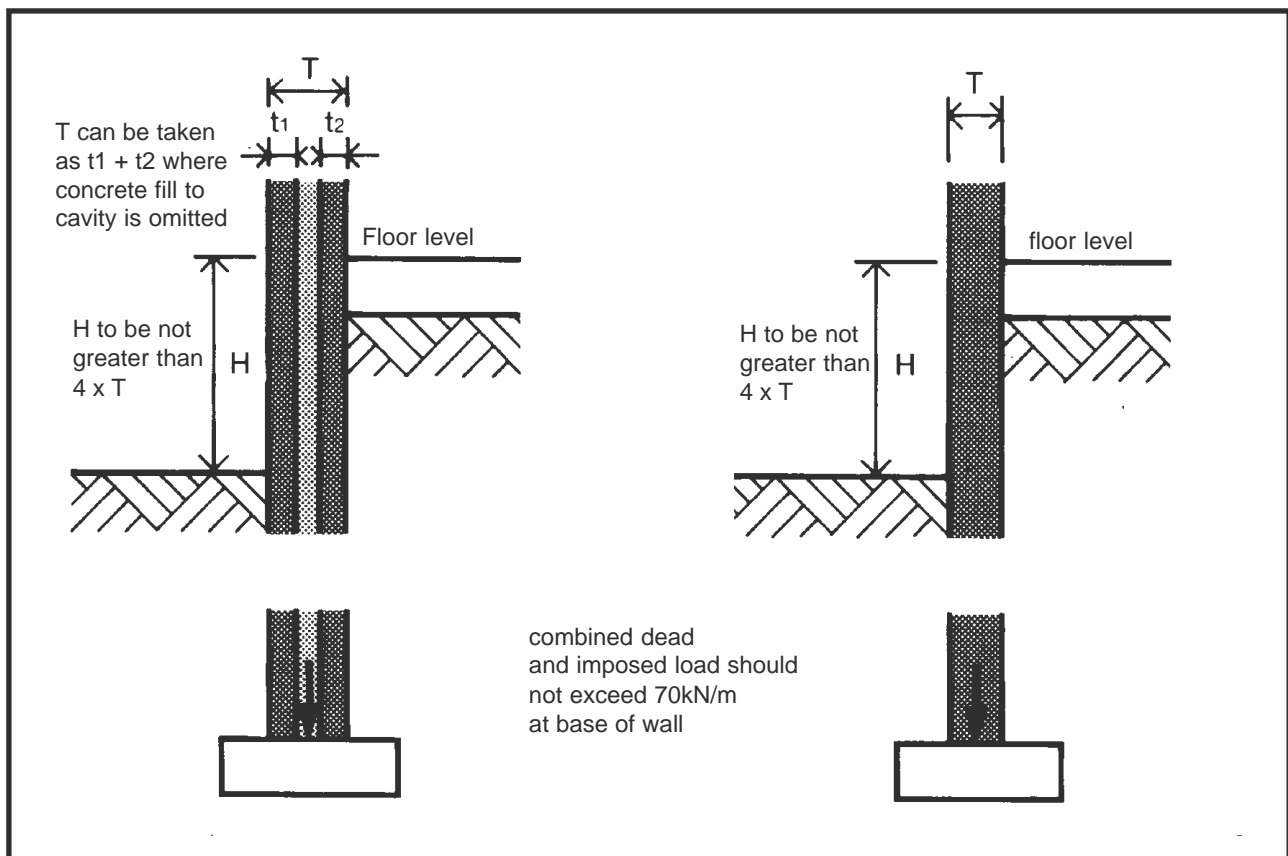


Guidance on Retaining Walls

Differences in level of ground or other solid construction between one side of the wall and the other should be less than 4 times the thickness of the walls.



Wycombe Building Control
Queen Victoria Road
High Wycombe
Bucks
HP11 1BB

Email: Building_Control@wycombe.gov.uk
Telephone: 01494 421 403